

**PATIO PLAN FOR**

CLIENT:

**KSPRAT**

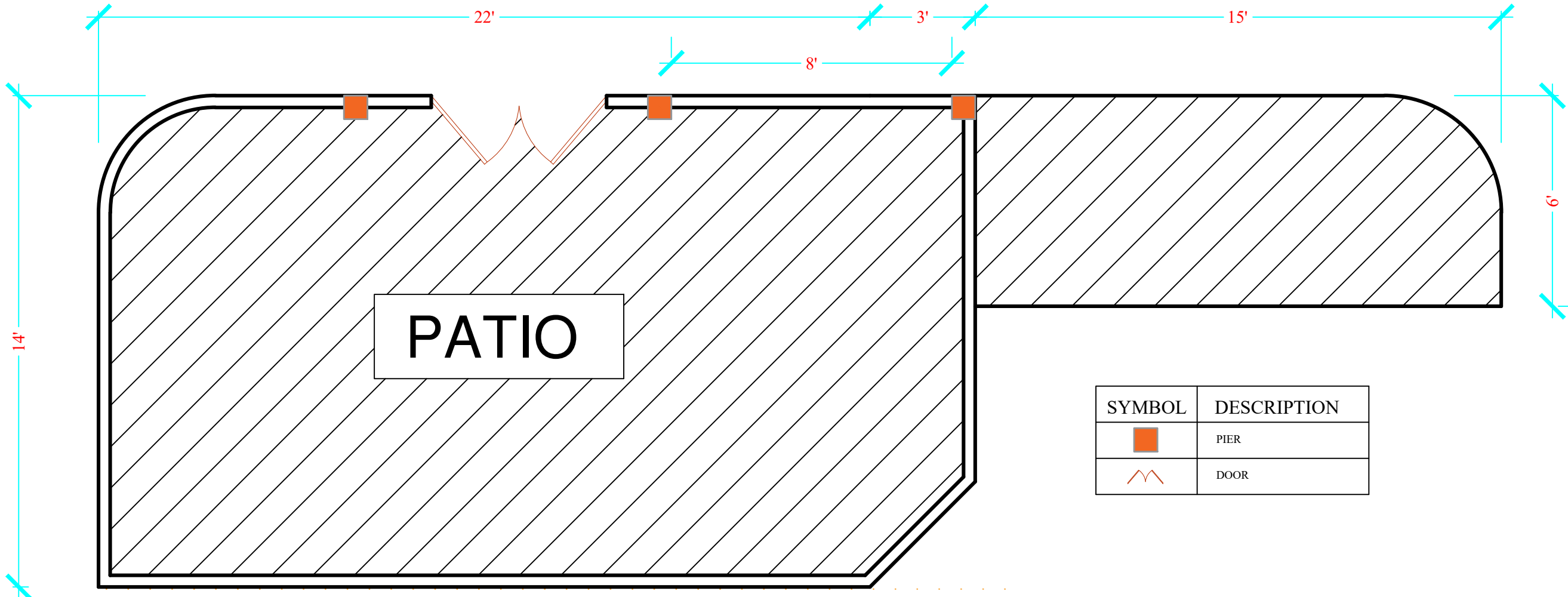
LOCATION:

CONSULTANT:



**VICTORY HOMES**

**( architects, builders, structural engineers. )**

DATE: SEP. 2024



PATIO

SYMBOL	DESCRIPTION
	PIER
	DOOR

Existing Building

FLOOR PLAN

Consultant:

**VICTORY HOMES**

PROJECT TITLE

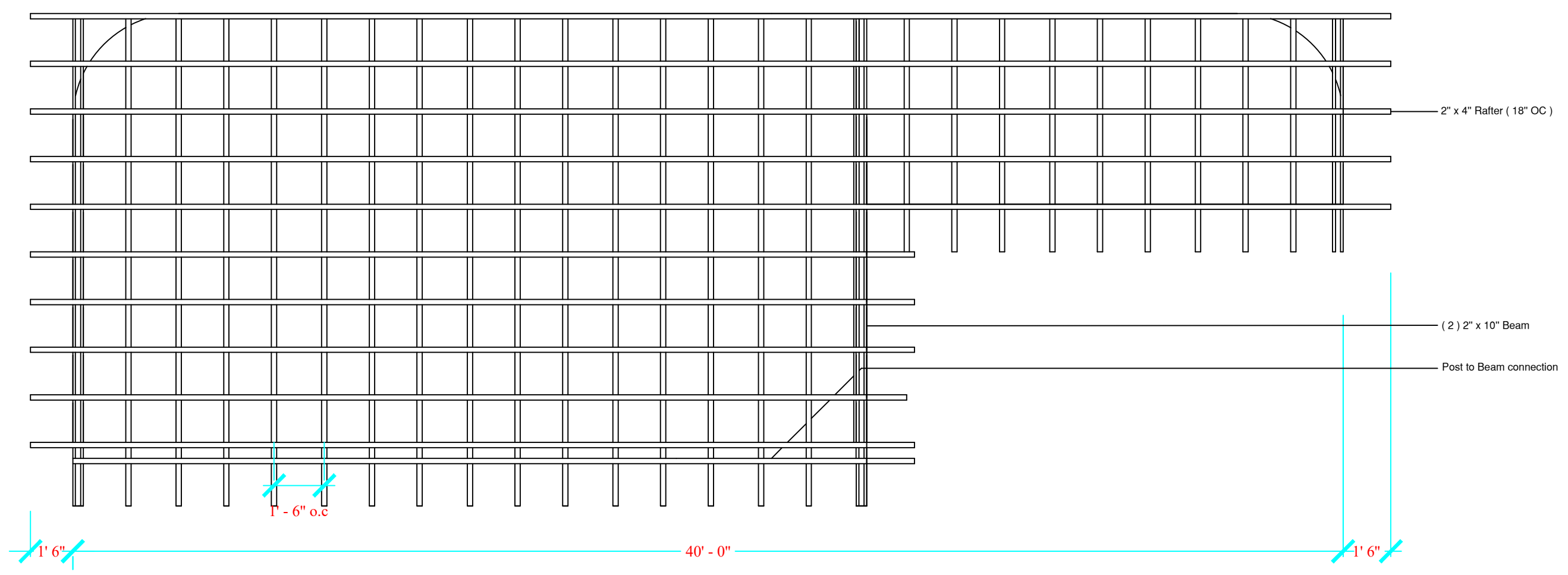
**PATIO PLAN FOR  
KSPRAT**

DATE	SEP. 2024
DESIGNED	
DRAWN	
CHECKED	

SHEET TITLE	SCALE
FLOOR PLAN	1:100

REF. NO
1

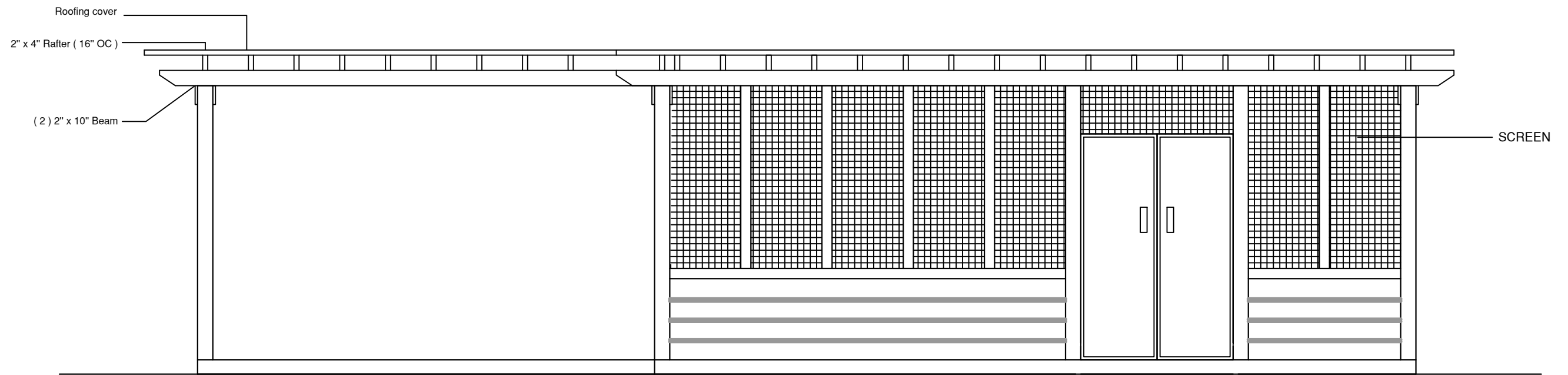
PROJECT ARCHITECT



## ROOF PLAN

Consultant:

PROJECT ARCHITECT	<b>VICTORY HOMES</b>	PROJECT TITLE	<b>PATIO PLAN FOR</b>		DATE	SEP. 2024	SHEET TITLE	SCALE	REF. NO
	<b>KSPRAT</b>		DESIGNED		<b>ROOF PLAN</b>	<b>1 : 100</b>			
			DRAWN						
			CHECKED						




**APPROACH VIEW**

Consultant:

PROJECT ARCHITECT	<div style="border: 1px solid black; padding: 5px; display: inline-block;"><b>VICTORY HOMES</b></div>	PROJECT TITLE	<b>PATIO PLAN FOR</b>  <b>KSPRAT</b>	DATE	SEP. 2024	SHEET TITLE  ELEVATION	SCALE  1:100	REF. NO  3
	DESIGNED							
	DRAWN							
	CHECKED							

1/4" per foot Slope

( 2 ) 2" x 10" Beam

4" x 6" x 10" Posts

Existing Building



*LEFTSIDE VIEW*

Consultant:

**VICTORY HOMES**

PATIO PLAN FOR

**KSPRAT**

DATE	SEP. 2024
DESIGNED	
DRAWN	
CHECKED	

SHEET TITLE	SCALE
ELEVATION	1 : 100

REF. NO
4

PROJECT ARCHITECT

PROJECT TITLE

Existing Building

 *RIGHT SIDE VIEW*

Consultant:

**VICTORY HOMES**

PROJECT TITLE

PATIO PLAN FOR

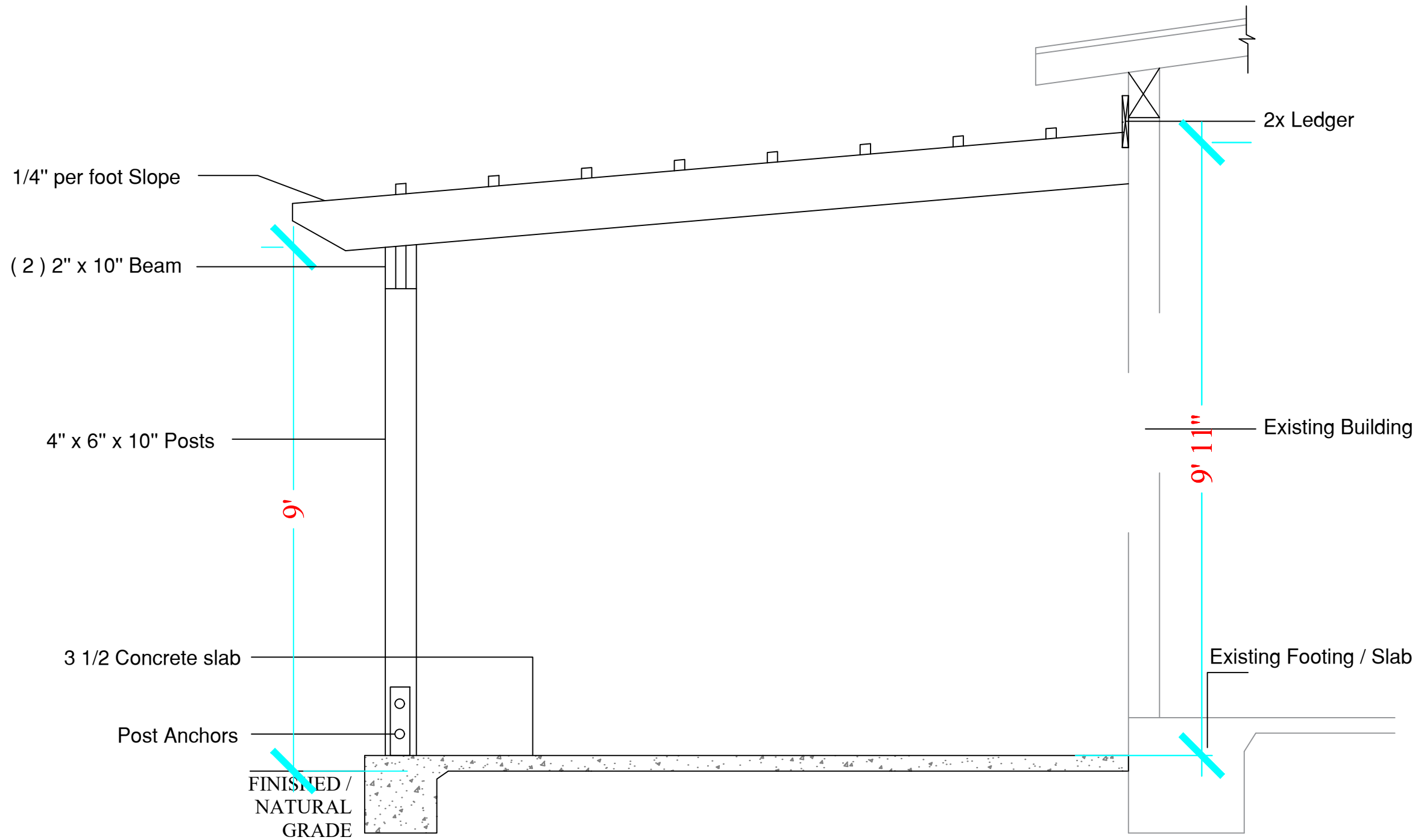
**KSPRAT**

DATE	SEP. 2024
DESIGNED	
DRAWN	
CHECKED	

SHEET TITLE	SCALE
ELEVATION	1:100

REF. NO
5

PROJECT ARCHITECT




**CONSTRUCTION SECTION**

Consultant:

**VICTORY HOMES**

PROJECT TITLE

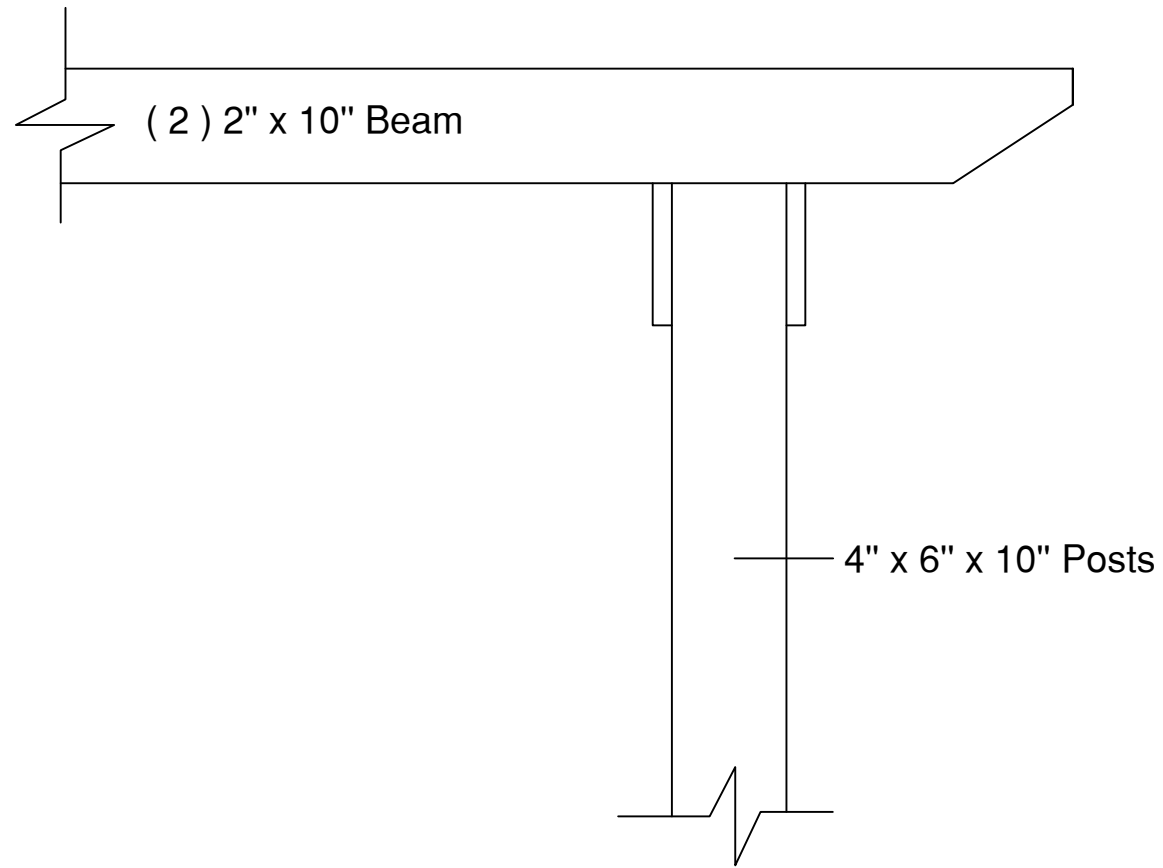
**PATIO PLAN FOR  
KSPRAT**

DATE	SEP. 2024
DESIGNED	
DRAWN	
CHECKED	

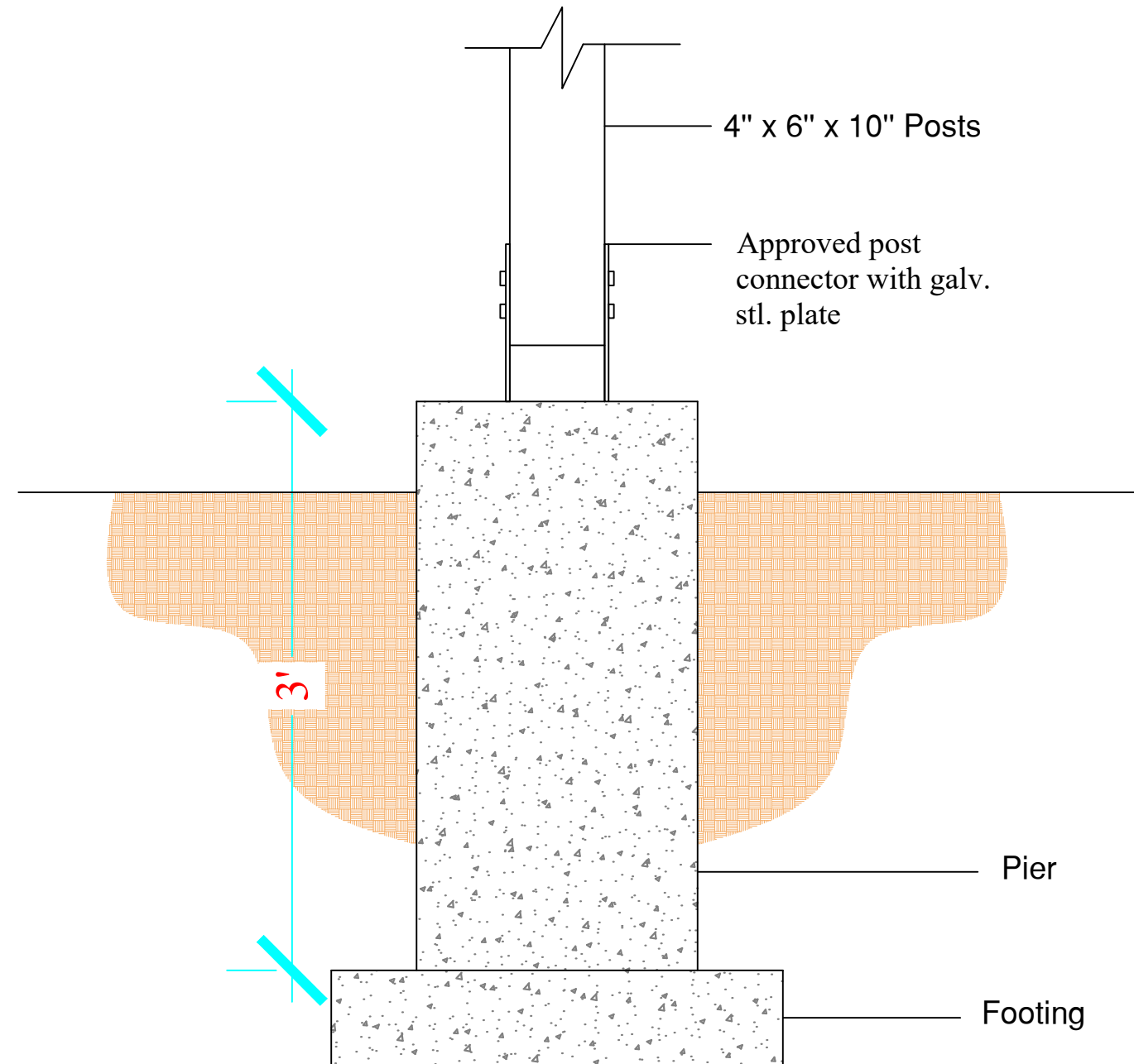
SHEET TITLE	SCALE
CONSTRUCTION SECTION	1:100

REF. NO
6

PROJECT ARCHITECT



DETAIL A



DETAIL B

Consultant:

PROJECT ARCHITECT

**VICTORY HOMES**

PROJECT TITLE

**PATIO PLAN FOR**

**KSPRAT**

DATE	SEP. 2024
DESIGNED	
DRAWN	
CHECKED	

SHEET TITLE	SCALE
SECTION	1:100

REF. NO
7



# ALLOWABLE SPAN FOR RAFTER

SIZE	SPACING	SPAN
2" x 4"	12"	9' - 10'
	16"	8' - 11'
	24"	7' - 10'
2" x 6"	12"	15' - 6"
	16"	14' - 1"
	24"	11" - 11"
2" x 8"	12"	20' - 10"
	16"	18' - 5"
	24"	15' - 1"
2" x 10"	12"	span exceeds 26' in length
	16"	23' - 6"
	24"	18' - 5"
2" x 12"	12"	span exceeds 26' in length
	16"	26' - 0"
	24"	21' - 4"

Consultant:

PROJECT ARCHITECT	<b>VICTORY HOMES</b>	PROJECT TITLE	PATIO PLAN FOR <b>KSPRAT</b>	DATE	SEP. 2024	SHEET TITLE  RAFTER SPANNING TABLE	SCALE  1:100	REF. NO  8
	DESIGNED							
	DRAWN							
	CHECKED							

# ALLOWABLE SPAN FOR BEAMS

SIZE	10' Rafter Span Depth	15' Rafter Span Depth	20' Rafter Span Depth	25' Rafter Span Depth
(2) 2" x 6"	7' - 8"	6' - 7"	5' - 10"	5' - 4"
(2) 2" x 8"	9' - 8"	8' - 4"	7' - 5"	6' - 9"
(2) 2" x 10"	11' - 10"	10' - 2"	9' - 0"	8' - 3"
(2) 2" x 12"	13' - 9"	11' - 9"	10' - 6"	9' - 6"
4" x 4"	5' - 8"	4' - 10"	4' - 4"	3' - 11"
4" x 6"	8' - 3"	7' - 1"	6' - 4"	5' - 9"
4" x 8"	10' - 11"	9' - 4"	8' - 4"	7' - 7"
4" x 10"	13' - 4"	11' - 5"	10' - 2"	9' - 3"
4" x 12"	15' - 7"	13' - 4"	11' - 10"	10' - 10"
4" x 14"	17' - 6"	15' - 0"	13' - 4"	12' - 1"

Consultant:

PROJECT ARCHITECT	<div style="border: 1px solid black; padding: 5px; display: inline-block;"><b>VICTORY HOMES</b></div>	PROJECT TITLE	PATIO PLAN FOR  <b>KSPRAT</b>	DATE	SEP. 2024	SHEET TITLE	SCALE	REF. NO
	DESIGNED			BEAM SPANNING TABLE	1:100			
	DRAWN							
	CHECKED				9			