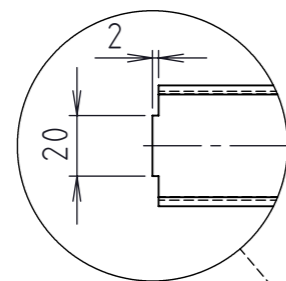


This drawing and any information or descriptive material set out on it are the confidential and copyright property of bulamyan@gmail.com and may not be copied, reproduced, transmitted or communicated to a third party, or used for any purpose without the written permission of bulamyan@gmail.com

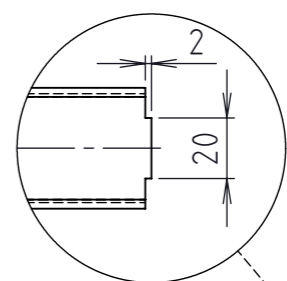
bulamyan@gmail.com

RANGE	0.5-3	>3-6	>6-30	>30-120	>120-400	>400-1000	>1000-3000
ALLOWANCE	±0.1	±0.1	±0.2	±0.3	±0.5	±0.8	±1.2

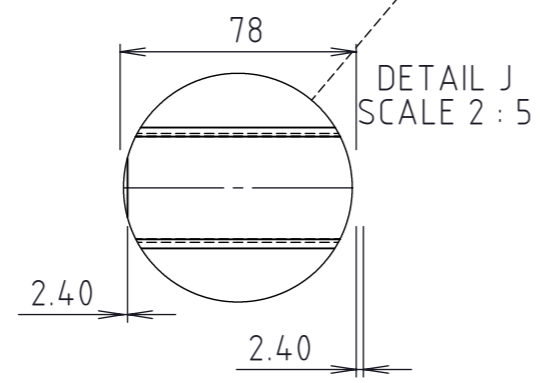
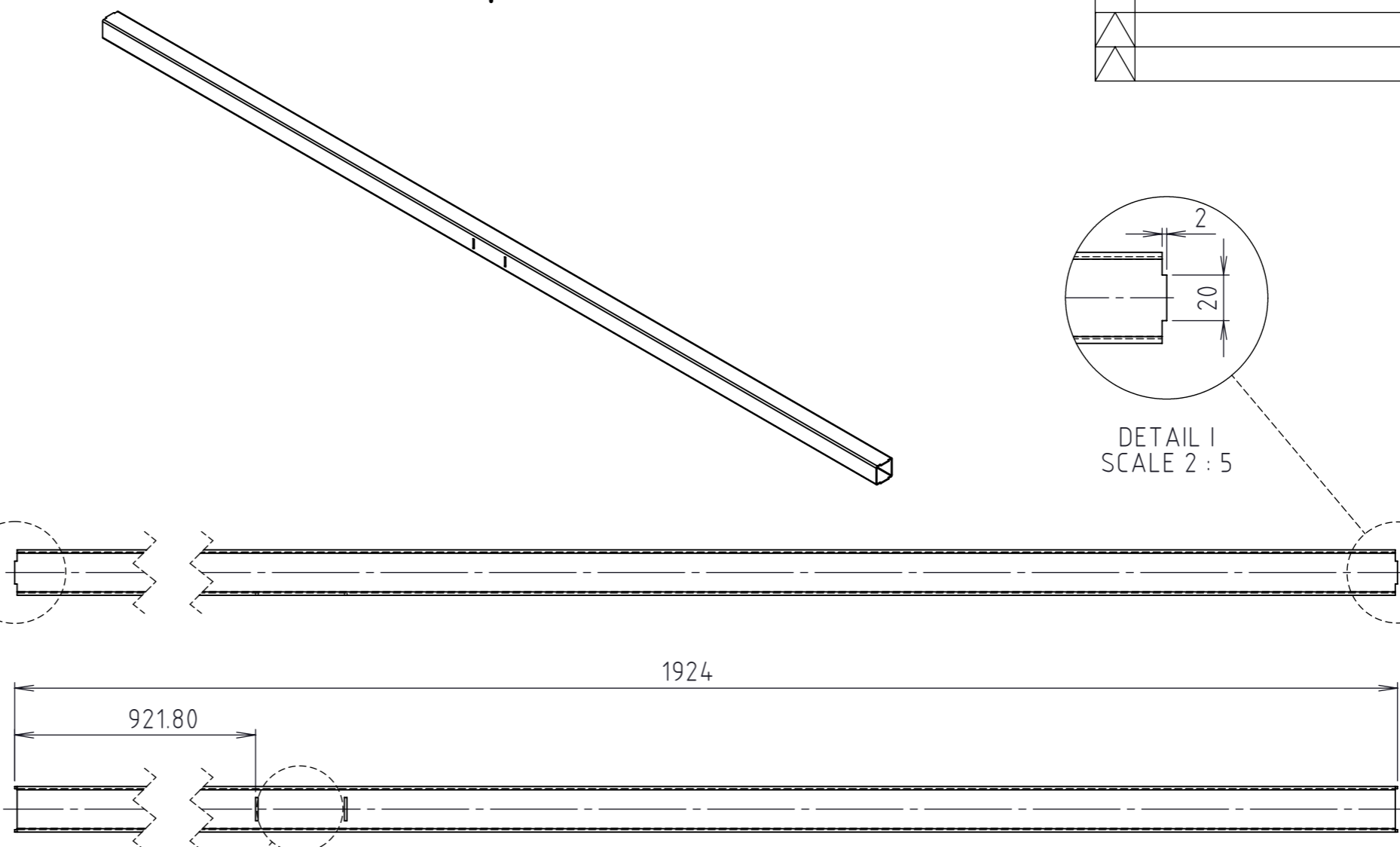
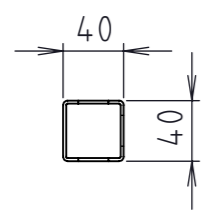
SYM	REVISION RECORD	ISSUE No.	DATE	DR
△				
△				



DETAIL H  
SCALE 2 : 5



DETAIL I  
SCALE 2 : 5



DETAIL J  
SCALE 2 : 5

				<table border="1"> <tr> <td>GENERAL TOL</td> <td>LINEAR</td> <td>ISO 2768-M</td> </tr> <tr> <td></td> <td>ANGULAR</td> <td>±0.5°</td> </tr> <tr> <td></td> <td>EDGES</td> <td>ISO 13715</td> </tr> </table>		GENERAL TOL	LINEAR	ISO 2768-M		ANGULAR	±0.5°		EDGES	ISO 13715
GENERAL TOL	LINEAR	ISO 2768-M												
	ANGULAR	±0.5°												
	EDGES	ISO 13715												
DESIGN	DRAWN	CHECKED	APPR.	TITLE : MRN02-10-02		MATERIAL : S235JR								
				BRIDGE										
BULAM YAN				Drawing No.		4479.36								
BULAM YAN				JOB ID / PRODUCTION CODE:		QTY : 2								
				SCALE = 1:5		UNIT = mm								
				FABRICATION PART		A3								

REMOVE ALL BURRS AND SHARP EDGES (UNSPECIFIED) TO C0.15-C0.3 MAX!