

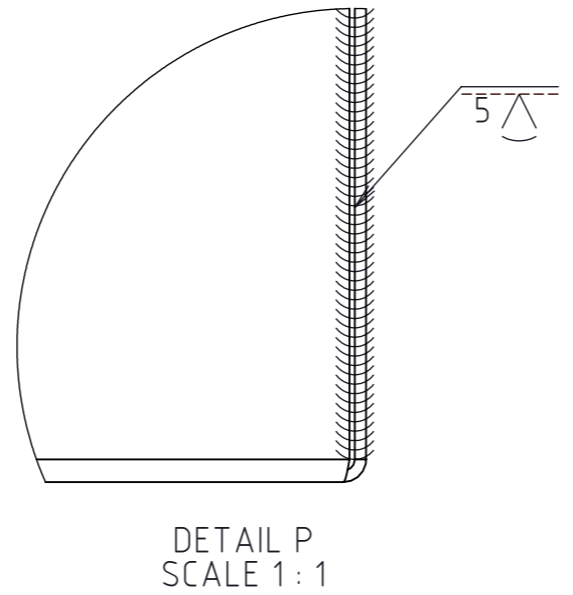
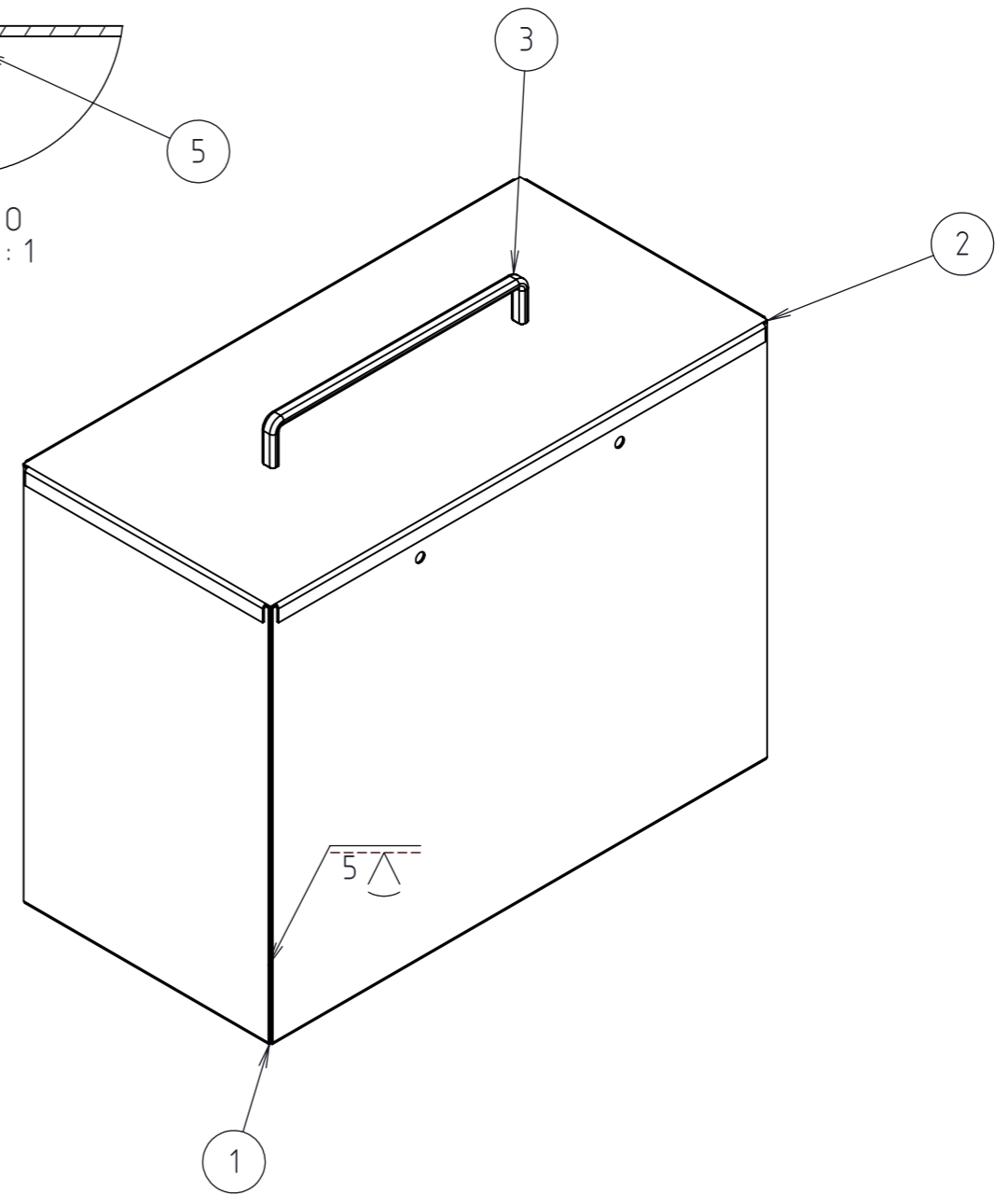
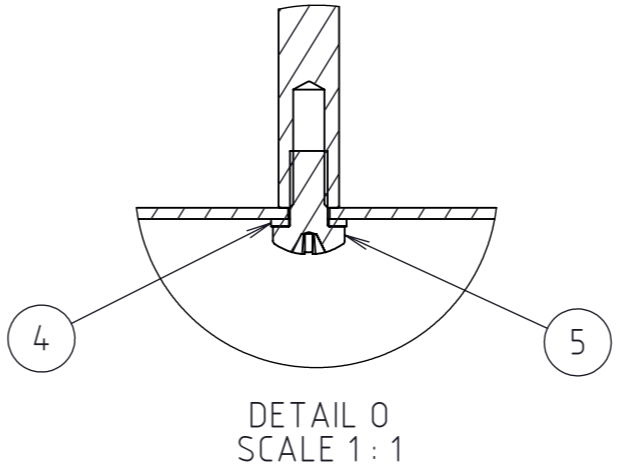
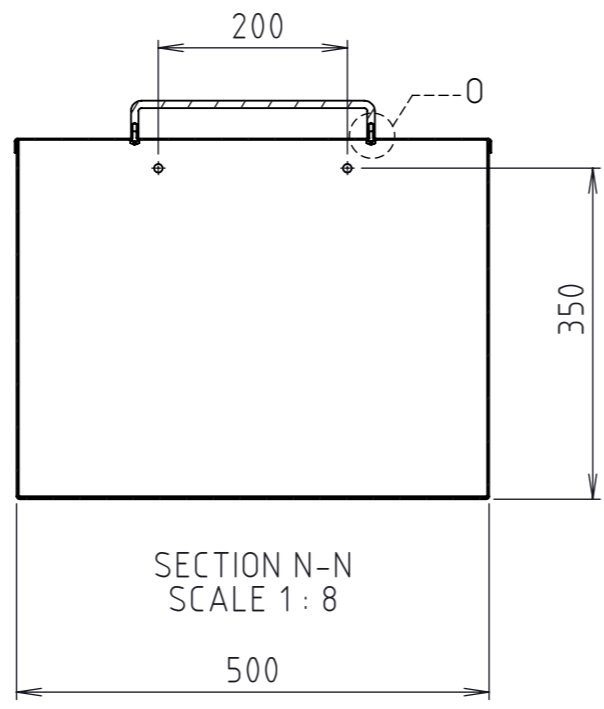
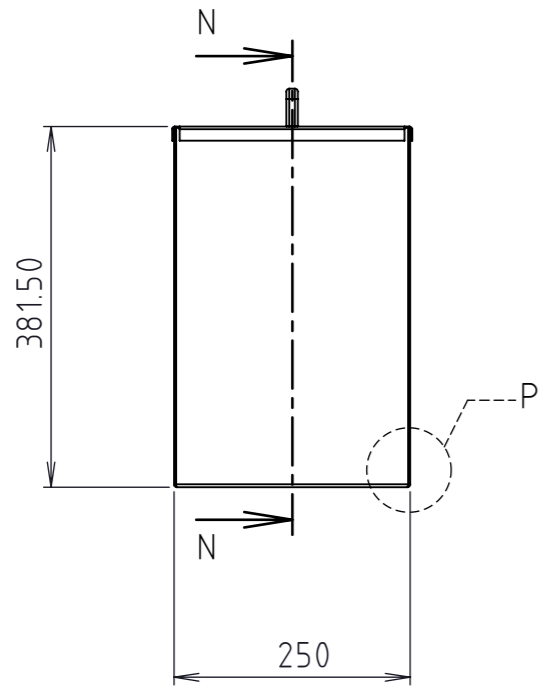
This drawing and any information or descriptive material set out on it are the confidential and copyright property of bulamyan@gmail.com and may not be copied, reproduced, transmitted or communicated to a third party, or used for any purpose without the written permission of bulamyan@gmail.com

bulamyan@gmail.com

RANGE	0.5-3	>3-6	>6-30	>30-120	>120-400	>400-1000	>1000-3000
ALLOWANCE	±0.1	±0.1	±0.2	±0.3	±0.5	±0.8	±1.2

ITEM NO.	PART NUMBER	QTY.
1	MRN02-30-01	1
2	MRN02-30-02	1
3	USAN250	1
4	Plain Washer ISO 7089 - 5	2
5	ISO 7045 - M5 x 10 - Z - 10N	2

SYM	REVISION RECORD	ISSUE No.	DATE	DR
△				
△				



DESIGN	DRAWN	CHECKED	APPR.	TITLE :	GENERAL TOL	LINEAR	ISO 2768-M
				MRN02-30-00	ANGULAR	±0.5°	
				MAIN ASSY	EDGES	ISO 13715	
BULAM YAN	BULAM YAN			Drawing No.	MATERIAL :	S235JR	
				9853.44	QTY :	1	
				SCALE = 1:2	UNIT = mm	FABRICATION PART	A3

Ⓢ REMOVE ALL BURRS AND SHARP EDGES (UNSPECIFIED) TO C0.15-C0.3 MAX!