

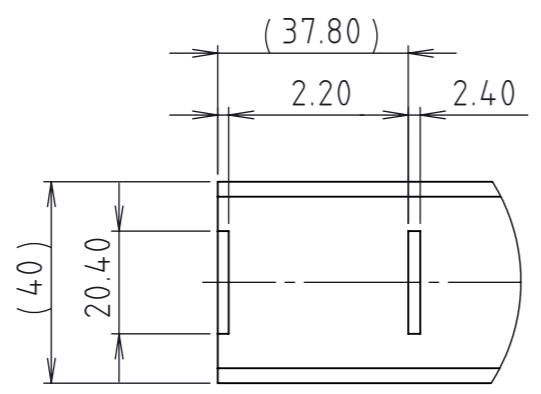
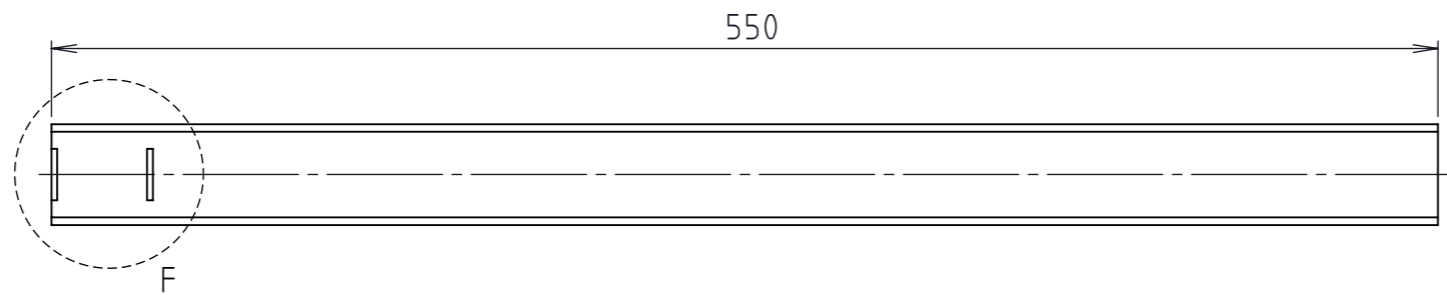
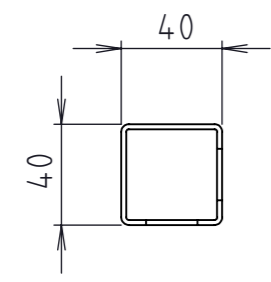
This drawing and any information or descriptive material set out on it are the confidential and copyright property of bulamyan@gmail.com and may not be copied, reproduced, transmitted or communicated to a third party, or used for any purpose without the written permission of bulamyan@gmail.com

bulamyan@gmail.com

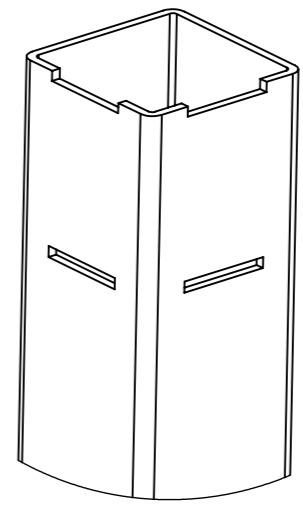
RANGE	0.5-3	>3-6	>6-30	>30-120	>120-400	>400-1000	>1000-3000
ALLOWANCE	±0.1	±0.1	±0.2	±0.3	±0.5	±0.8	±1.2

1 2 3 4 5 6 7 8

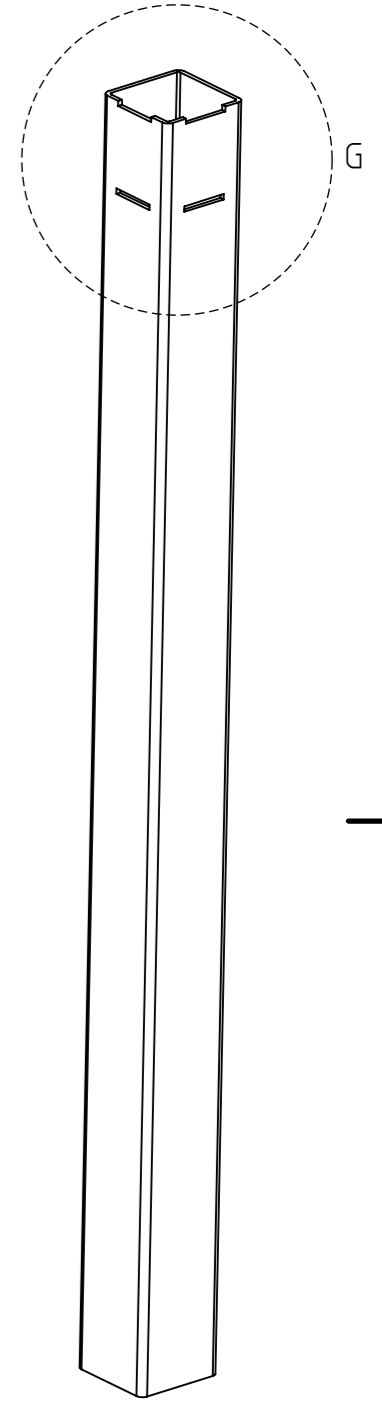
SYM	REVISION RECORD	ISSUE No.	DATE	DR
△				
△				



DETAIL F
SCALE 2 : 3



DETAIL G
SCALE 2 : 3



				<table border="1"> <tr> <td>GENERAL TOL</td> <td>LINEAR</td> <td>ISO 2768-M</td> </tr> <tr> <td></td> <td>ANGULAR</td> <td>±0.5°</td> </tr> <tr> <td></td> <td>EDGES</td> <td>ISO 13715</td> </tr> </table>		GENERAL TOL	LINEAR	ISO 2768-M		ANGULAR	±0.5°		EDGES	ISO 13715
GENERAL TOL	LINEAR	ISO 2768-M												
	ANGULAR	±0.5°												
	EDGES	ISO 13715												
DESIGN	DRAWN	CHECKED	APPR.	TITLE : MRN02-10-01										
				FOOT										
BULAM YAN				MATERIAL : S235JR										
BULAM YAN				Drawing No.										
JOB ID / PRODUCTION CODE:				1281.27										
				QTY : 4										
				SCALE = 1:10										
				UNIT = mm										
				FABRICATION PART										
				A3										

REMOVE ALL BURRS AND SHARP EDGES (UNSPECIFIED) TO C0.15-C0.3 MAX!

A
B
C
D
E
F