

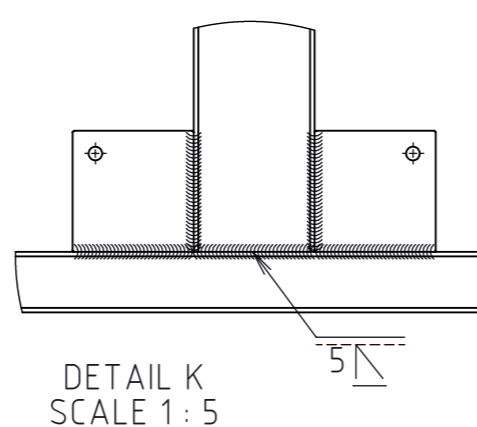
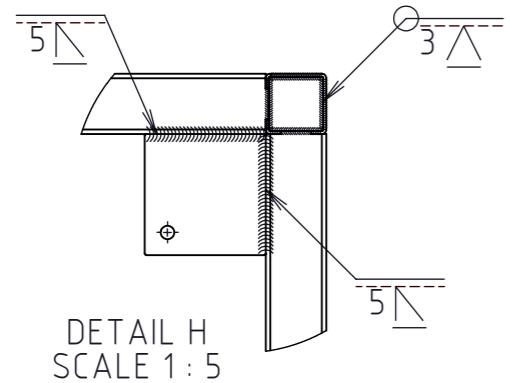
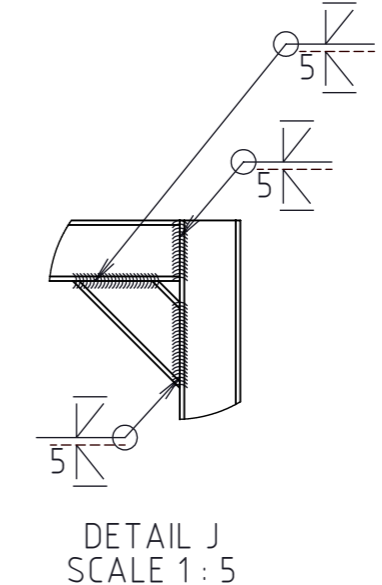
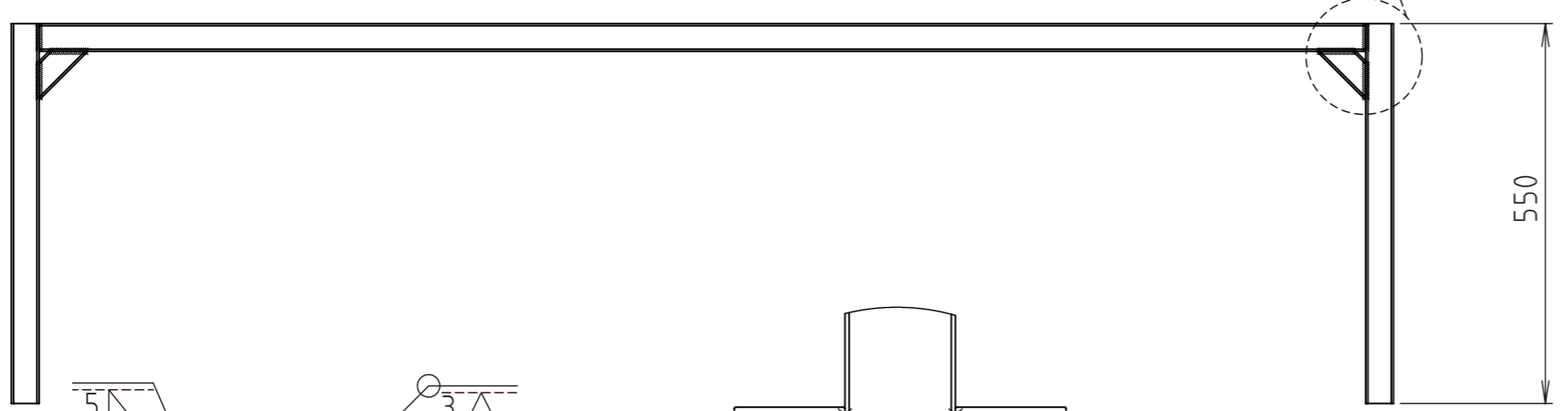
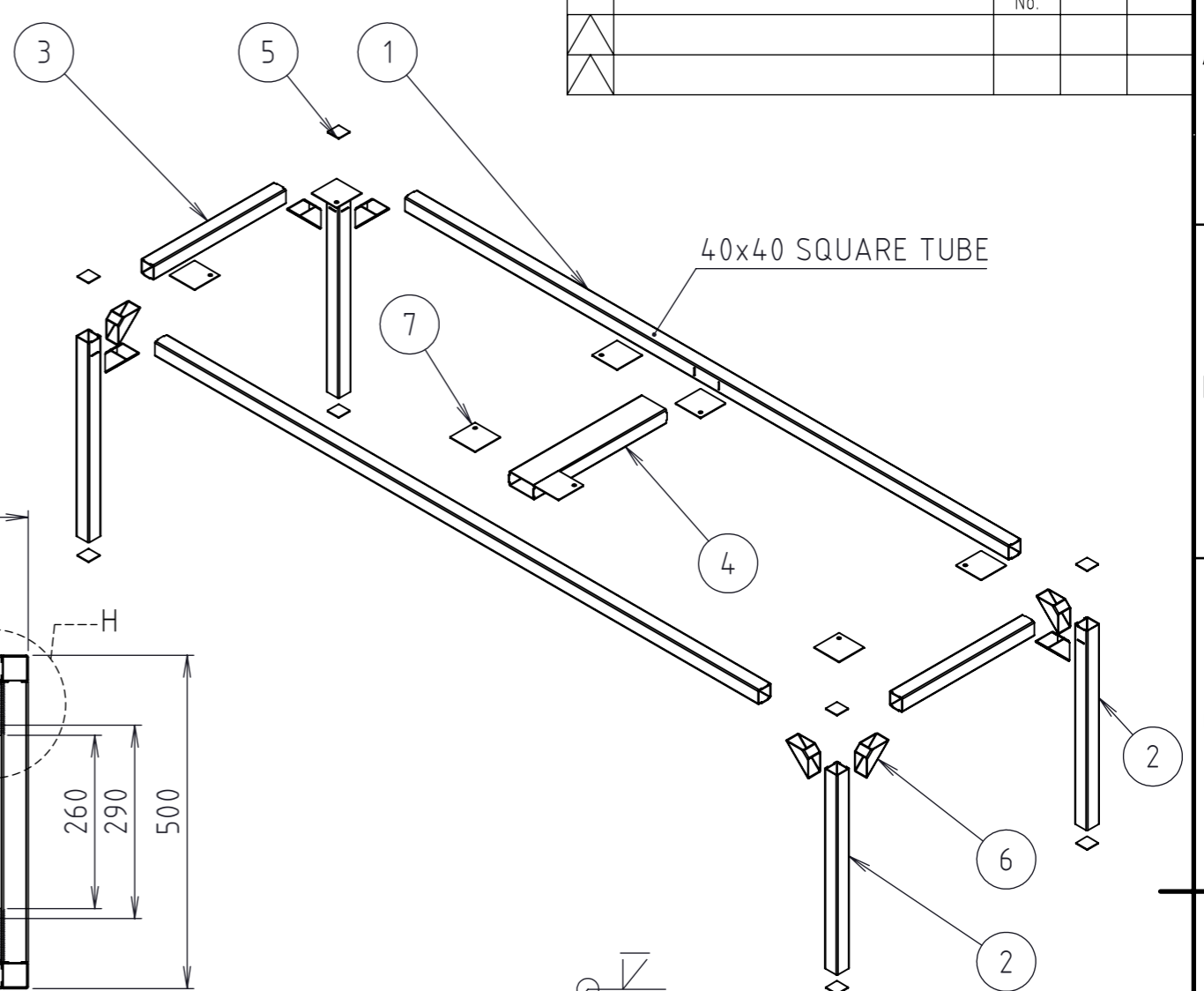
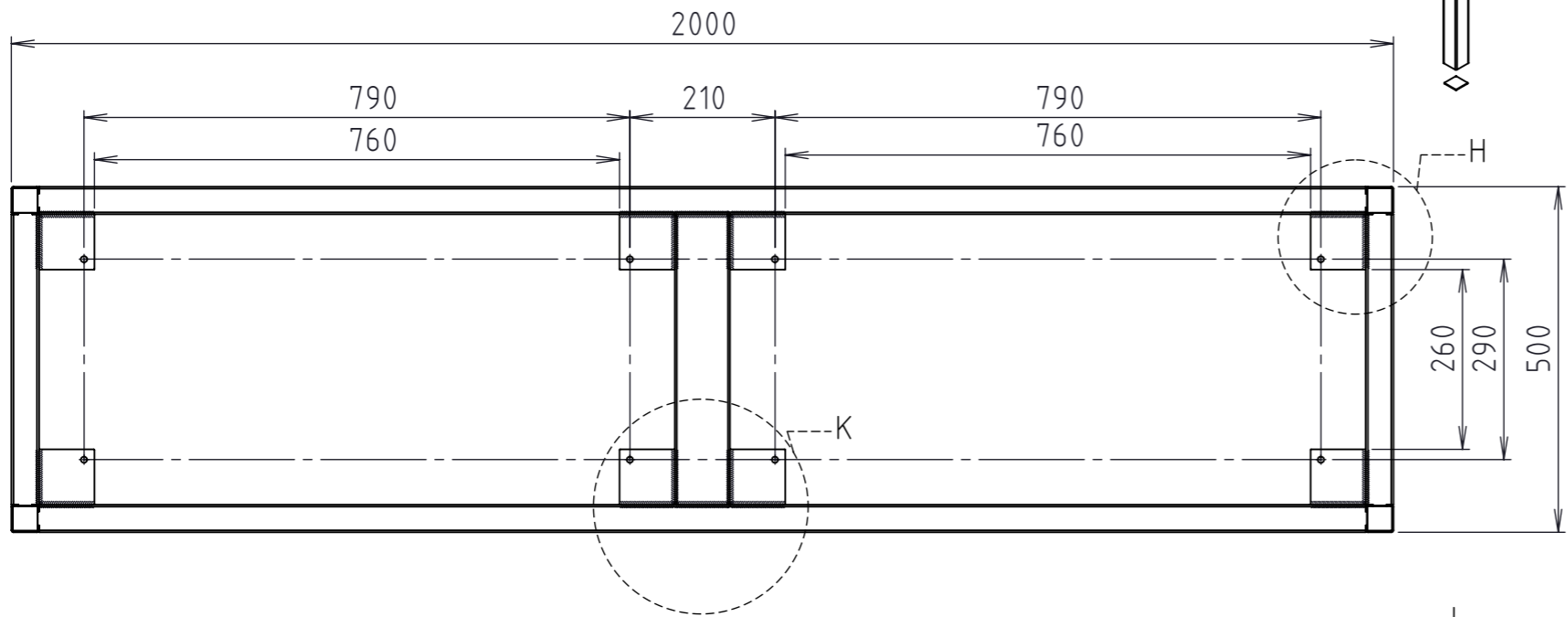
This drawing and any information or descriptive material set out on it are the confidential and copyright property of bulamyan@gmail.com and may not be copied, reproduced, transmitted or communicated to a third party, or used for any purpose without the written permission of bulamyan@gmail.com

bulamyan@gmail.com

RANGE	0.5-3	>3-6	>6-30	>30-120	>120-400	>400-1000	>1000-3000
ALLOWANCE	±0.1	±0.1	±0.2	±0.3	±0.5	±0.8	±1.2

ITEM NO.	PART NUMBER	Material	QTY.
1	MRN02-10-02	S235JR	2
2	MRN02-10-01	S235JR	4
3	MRN02-10-03	S235JR	2
4	MRN02-10-07	S235JR	1
5	MRN02-10-04	S235JR	8
6	MRN02-10-05	S235JR	8
7	MRN02-10-06	S235JR	8

SYM	REVISION RECORD	ISSUE No.	DATE	DR
△				
△				



DESIGN	DRAWN	CHECKED	APPR.	TITLE :	GENERAL TOL	LINEAR	ISO 2768-M
				MRN02-10-00	ANGULAR	±0.5°	
				MAIN FRAME	EDGES	ISO 13715	
BULAM YAN	BULAM YAN			Drawing No.	MATERIAL :	S235JR	
				19635.81	QTY :	1	
				SCALE = 1:10	UNIT = mm	FABRICATION PART	A3

⦿ REMOVE ALL BURRS AND SHARP EDGES (UNSPECIFIED) TO C0.15-C0.3 MAX!