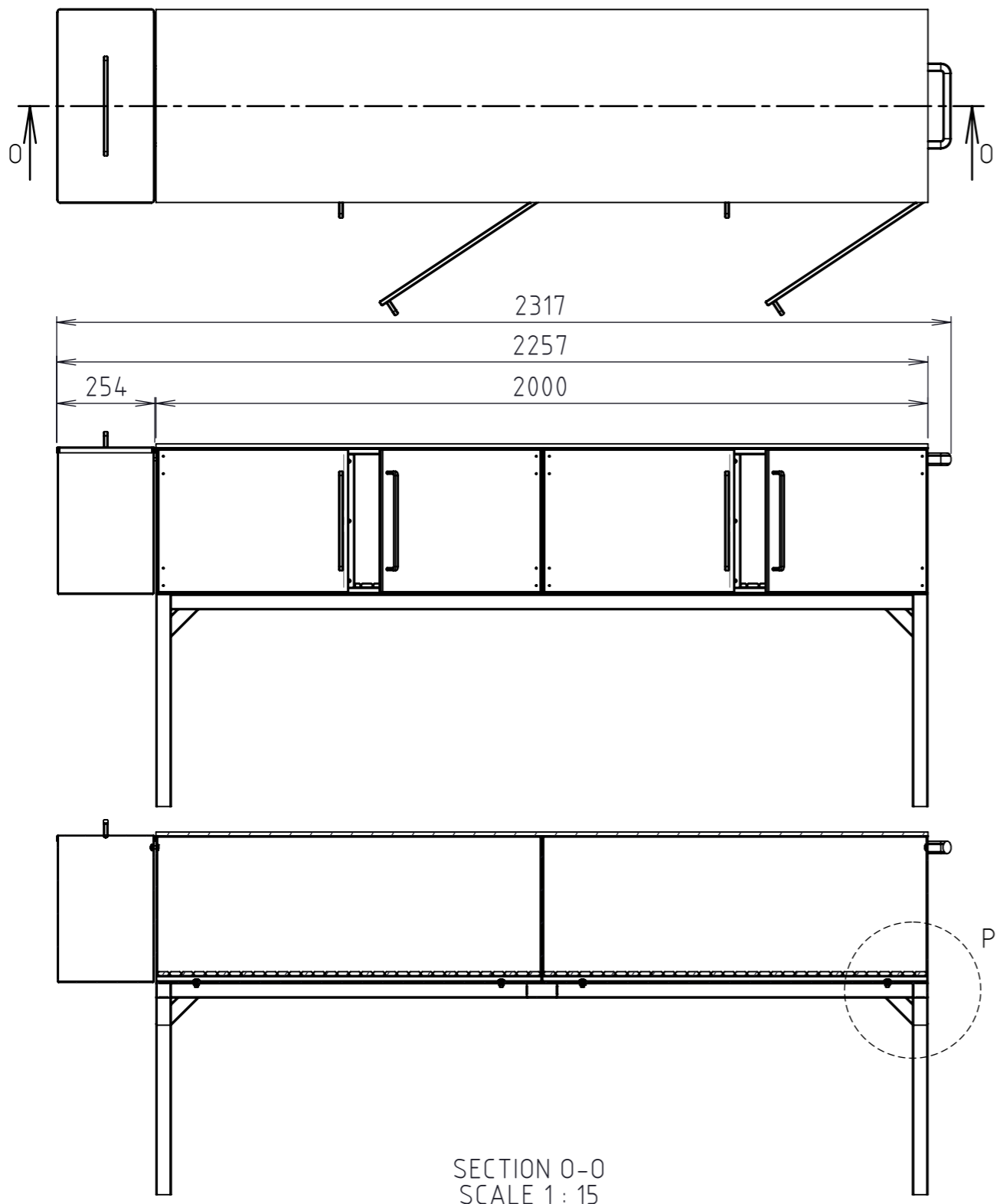


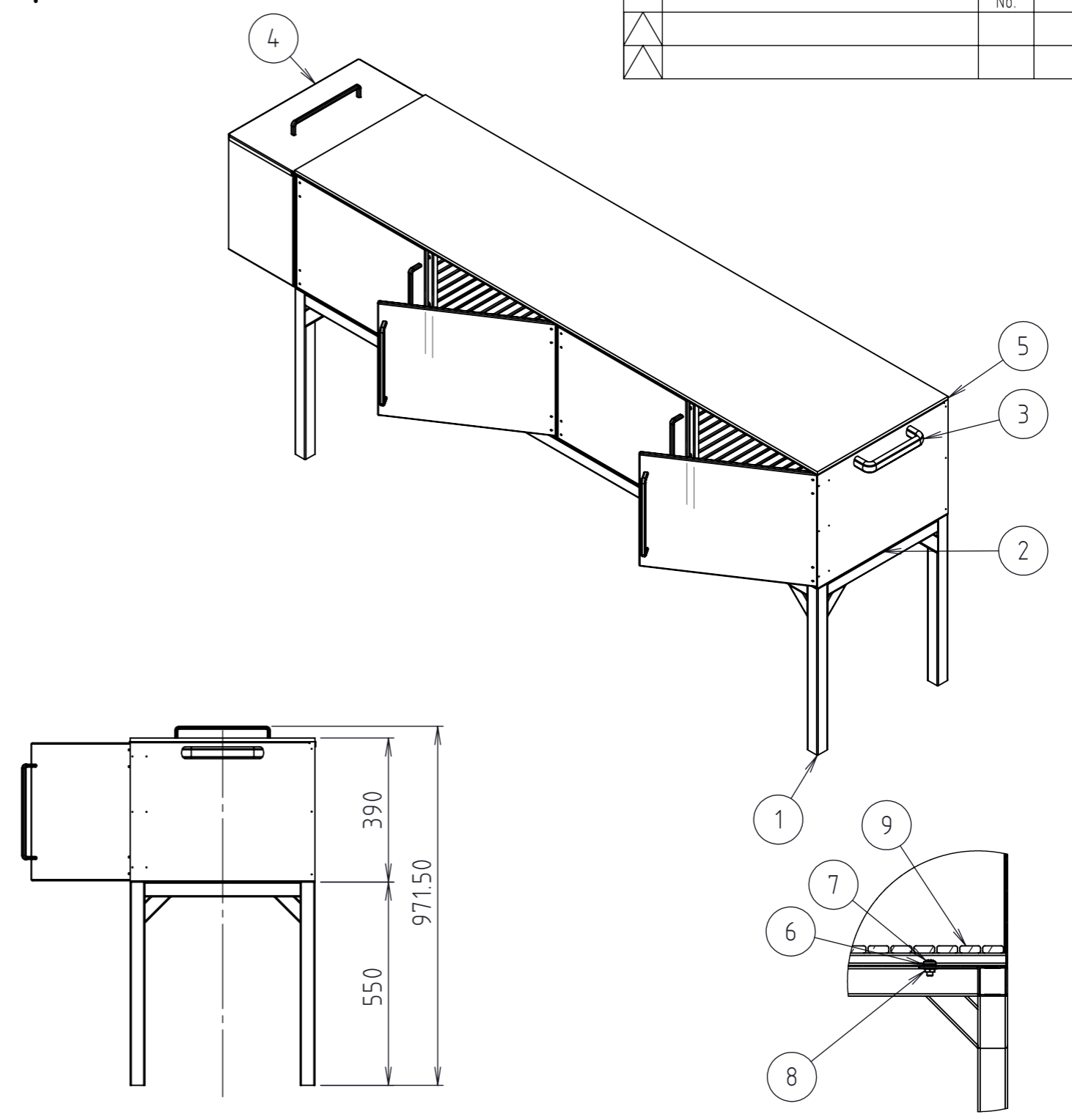
ITEM NO.	PART NUMBER	QTY.
1	MRN02-10-00	1
2	MRN02-20-00	2
3	UPCFN200	1
4	MRN02-30-00	1
5	MRN02-20-10	1
6	Plain Washer ISO 7089 - 8	22
7	ISO 7045 - M8 x 16 - Z - 16N	12
8	ISO - 4035 - M8 - N	10
9	MRN02-40-00	2

SYM	REVISION RECORD	ISSUE No.	DATE	DR
△				
△				

This drawing and any information or descriptive material set out on it are the confidential and copyright property of bulamyan@gmail.com and may not be copied, reproduced, transmitted or communicated to a third party, or used for any purpose without the written permission of bulamyan@gmail.com



SECTION 0-0
SCALE 1 : 15



DETAIL P
SCALE 2 : 15

bulamyan@gmail.com

RANGE	ALLOWANCE
0.5-3	±0.1
>3-6	±0.1
>6-30	±0.2
>30-120	±0.3
>120-400	±0.5
>400-1000	±0.8
>1000-3000	±1.2

DESIGN	DRAWN	CHECKED	APPR.	TITLE :	GENERAL TOL	LINEAR	ISO 2768-M
				MRN02-00-00	ANGULAR	±0.5°	
				OVERALL	EDGES	ISO 13715	
					MATERIAL :	STEEL	
BULAM YAN	BULAM YAN			Drawing No.			QTY :
							1
				SCALE = 1:5	UNIT = mm	FABRICATION PART	A3

⦿ REMOVE ALL BURRS AND SHARP EDGES (UNSPECIFIED) TO C0.15-C0.3 MAX!