

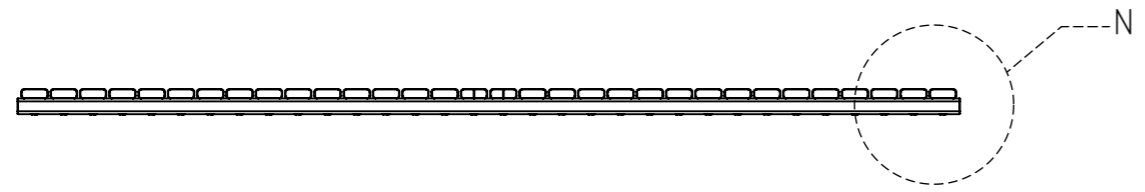
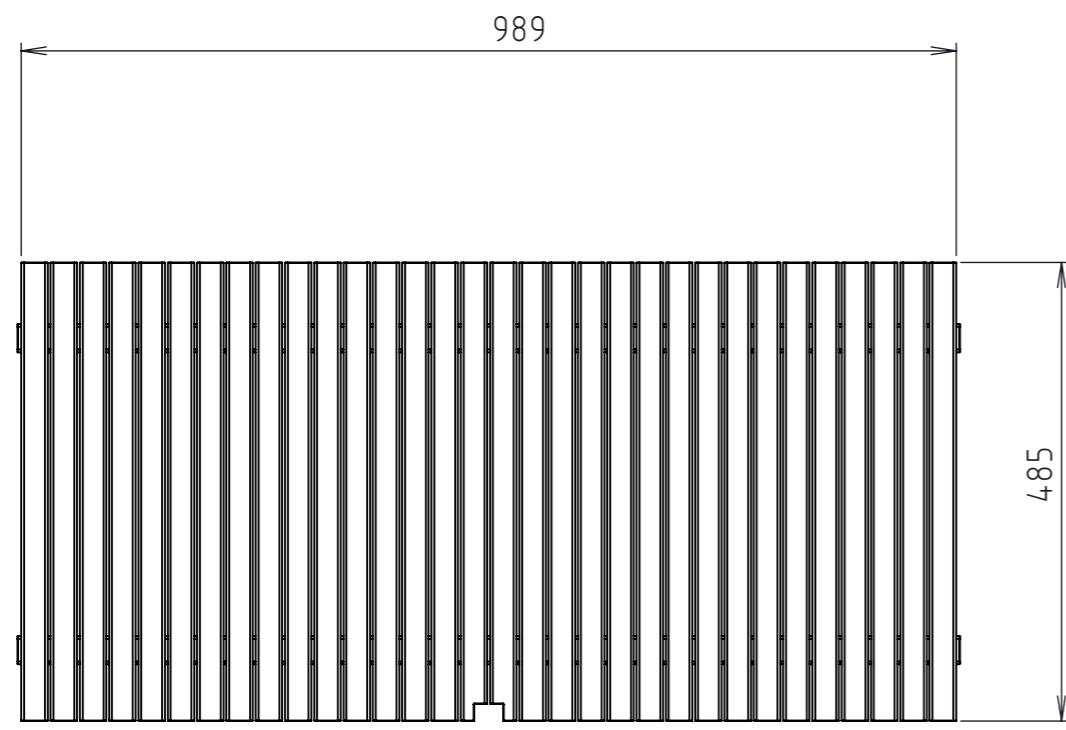
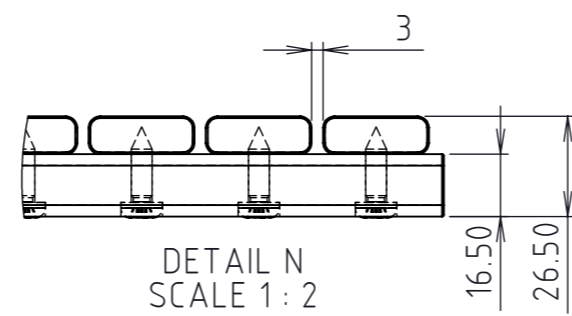
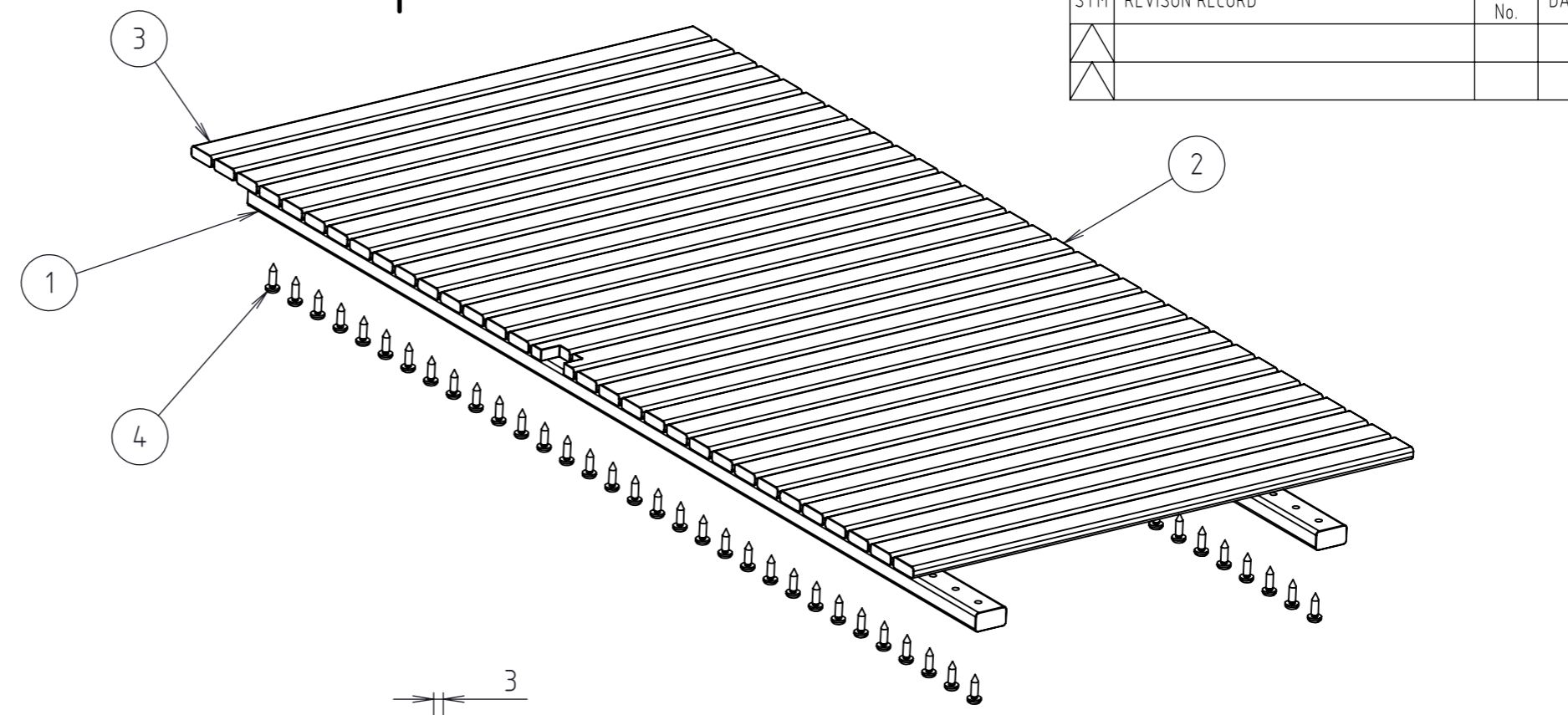
This drawing and any information or descriptive material set out on it are the confidential and copyright property of bulamyan@gmail.com and may not be copied, reproduced, transmitted or communicated to a third party, or used for any purpose without the written permission of bulamyan@gmail.com

bulamyan@gmail.com

RANGE	0.5-3	>3-6	>6-30	>30-120	>120-400	>400-1000	>1000-3000
ALLOWANCE	±0.1	±0.1	±0.2	±0.3	±0.5	±0.8	±1.2

ITEM NO.	PART NUMBER	QTY.
1	MRN02-40-01	2
2	MRN02-40-02	2
3	MRN02-40-03	30
4	PHT 5.5x20x18.2-type I-AB-N	64

SYM	REVISION RECORD	ISSUE No.	DATE	DR
△				
△				



DESIGN	DRAWN	CHECKED	APPR.	TITLE : MRN02-40-00 MAIN ASSY	GENERAL TOL: LINEAR ISO 2768-M ANGULAR ±0.5° EDGES ISO 13715
BULAM YAN	BULAM YAN			Drawing No. : 2927.50	MATERIAL : ----- MASS : 2927.50
JOB ID / PRODUCTION CODE:				QTY : 1	FABRICATION PART
SCALE = 1:5		UNIT = mm		A3	

Ⓜ REMOVE ALL BURRS AND SHARP EDGES (UNSPECIFIED) TO C0.15-C0.3 MAX!